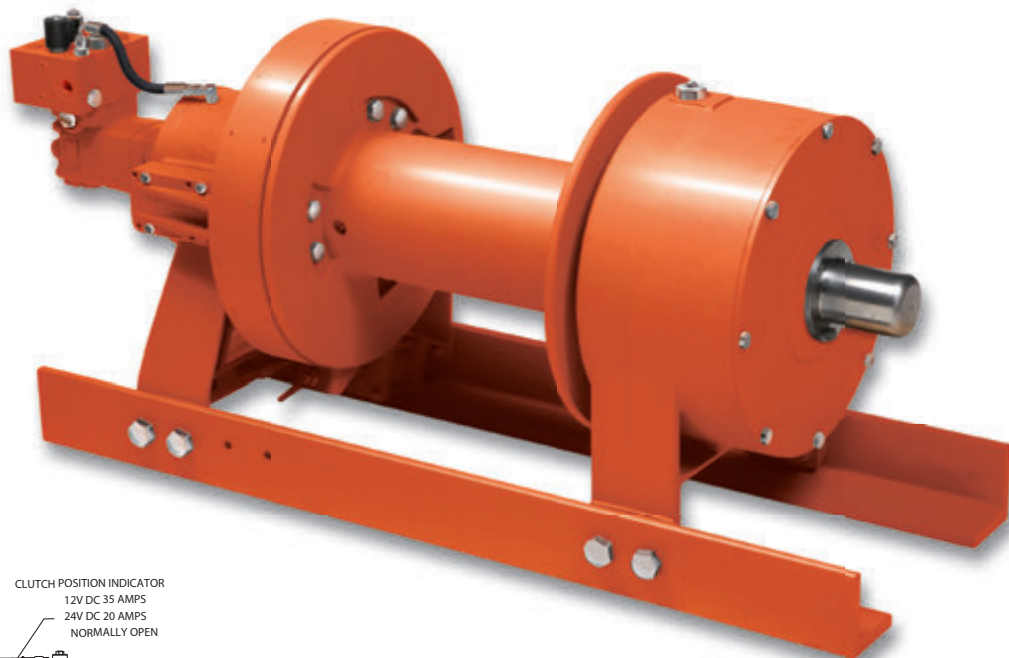
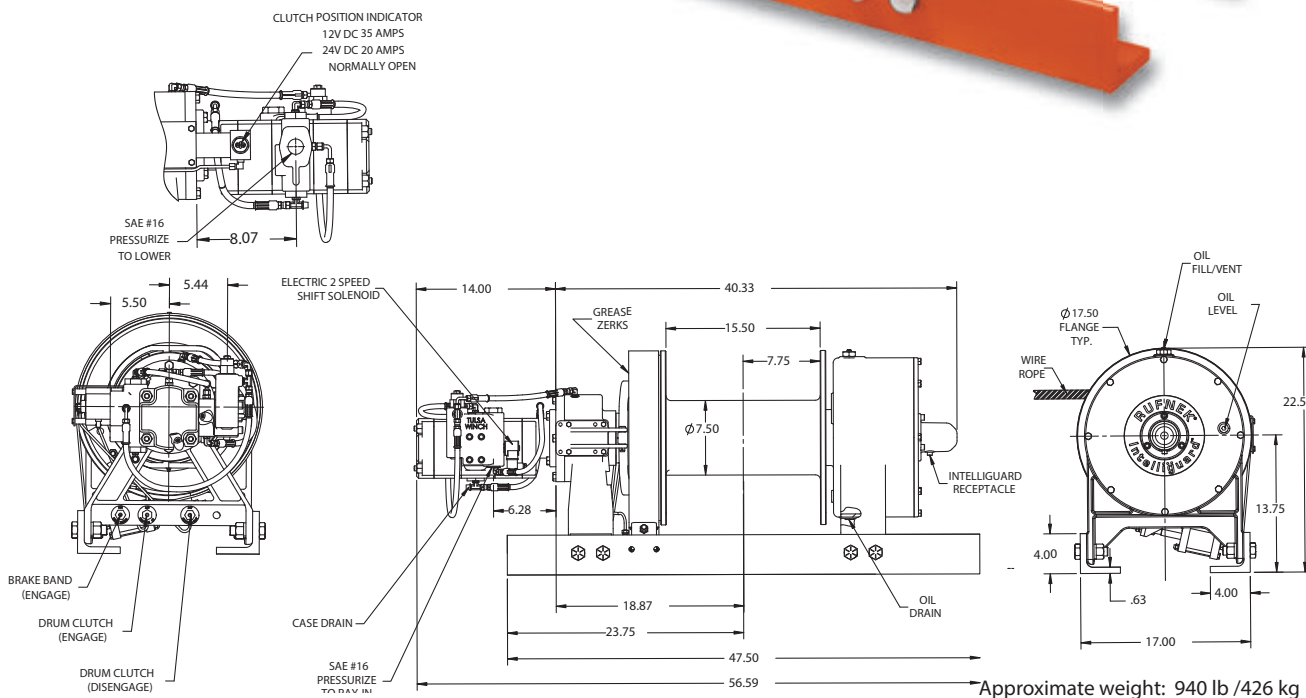


# RN50P

# 50,000 lb. Pulling Capacity



RUFNEK® with Intelliguard™ Planetary Winch



Approximate weight: 940 lb / 426 kg

## PERFORMANCE DATA 2,250 PSI @ 60 GPM / 155 BAR @ 227 LPM

Layer	Low Speed				High Speed				Cable	
	Linepull (lb)	Linepull (kg)	Linespeed (fpm)	Linespeed (mpm)	Linepull (lb)	Linepull (kg)	Linespeed (fpm)	Linespeed (mpm)	Capacity (ft)	Capacity (m)
1	50,000	22,679	40	12	21,230	9,629	83	25	34	10
2	41,501	18,824	49	15	17,561	7,965	100	31	74	21
3	35,385	16,050	57	17	14,973	6,791	117	37	122	35
4	30,840	13,988	65	19	13,050	5,919	134	42	176	51
5	27,330	12,396	74	22	11,565	5,245	152	48	238	

<b>CAUTION:</b>	<b>WARNING:</b>
The last 5 wraps of cable must be left on the drum to assist the cable clamp in holding the load.	Winches and capstans are not intended to be used for lifting or moving of persons.