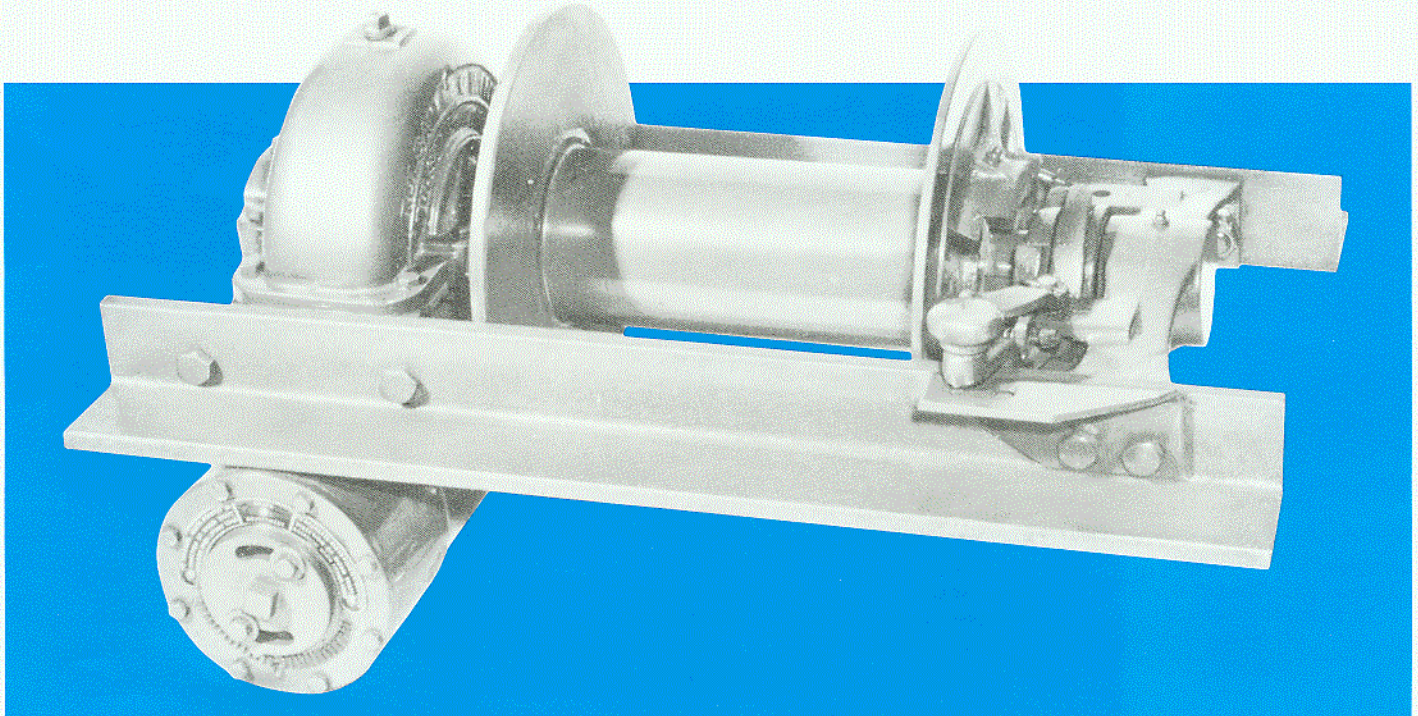




**Tulsa Winch**

**Model 18G Winch**  
20,000 POUNDS



## DESCRIPTION and FEATURES

### ● THE MODEL 18G

A low mount worm gear winch with a 30:1 gear ratio and equipped with an improved air-cooled safety brake—automatically engages when power is reversed or removed from winch.

### ● DRAG BRAKE

Automatically engages when the clutch is released to prevent tangling of the cable during free-spooling.

### ● WORM

Manufactured from an alloy steel forging, machined to close tolerances, ground journals and threads, hardened in a “controlled atmosphere” furnace for long service life.

### ● WORM GEAR

Manufactured from the highest quality bronze

alloy, accurately machined to match the worm.

### ● SLIDING CLUTCH

Manufactured from manganese alloy steel.

### ● DRUM DIAMETER

Extra large to help prolong cable life.

### ● BEARINGS

The worm rotates on deep-groove, heavy duty, radial ball bearings which never need adjustment.

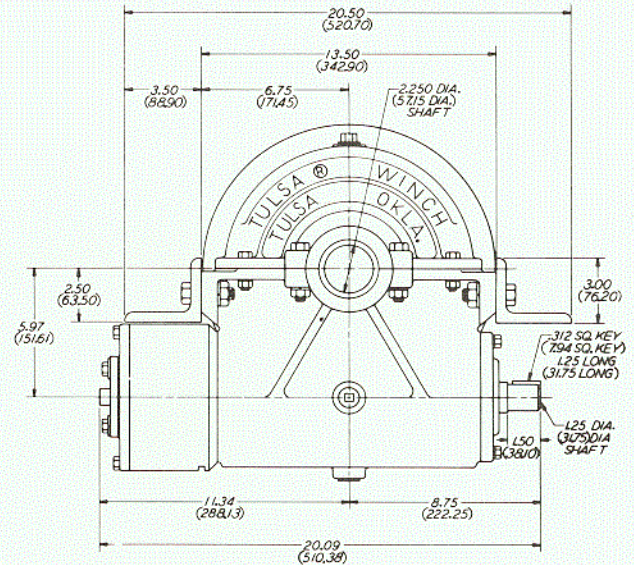
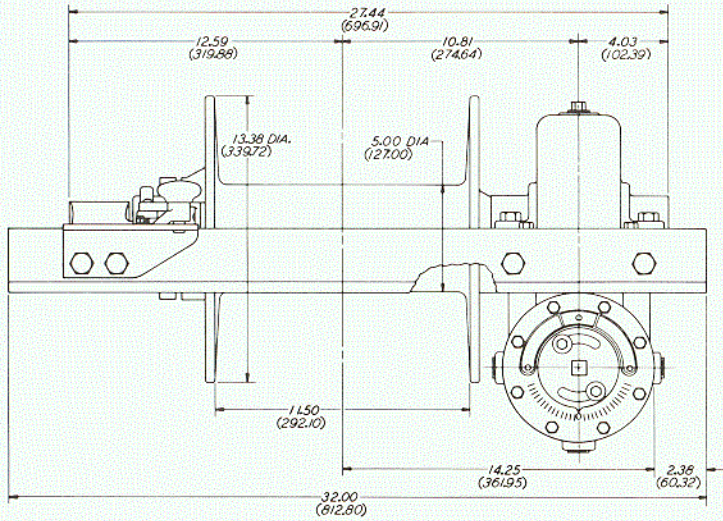
### ● PRECISION MANUFACTURED COMPONENTS

Extra long service life and trouble free operation.

### ● NOT APPROVED FOR PERSONNEL LIFTS.

DISTRIBUTED BY:

# Installation Drawings



## SPECIFICATIONS

Safe Working Capacity Pounds 20,000 (9,072 KG)	Drum Shaft Diameter 2 1/4" (57.15 MM)	Drum Barrel Diameter 5" (127 MM)	Worm Gear Ratio 30:1	Weight Pounds 325 (147.42 KG)
--	---	--	-------------------------	-------------------------------------

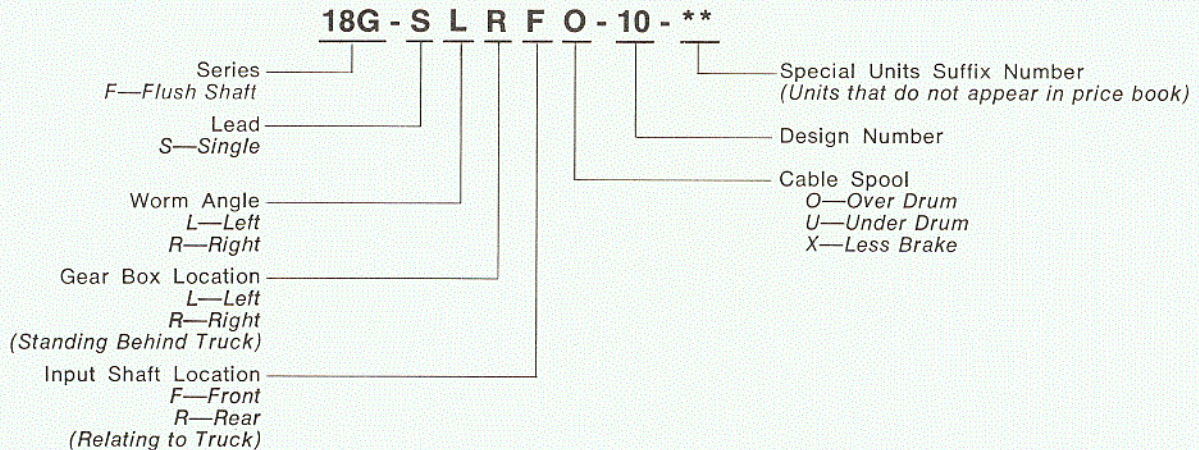
## RATED LINE PULL IN POUNDS (KILOGRAMS) PER LAYER OF CABLE

Cable Size	1st Layer	2nd Layer	3rd Layer	4th Layer	5th Layer	6th Layer
5/8" (15.87 MM)	20,000 (9,072)	16,364 (7,423)	13,846 (6,281)	12,000 (5,443)	10,588 (4,803)	9,474 (4,297)

## CABLE CAPACITY IN FEET (METERS) Corrected for 90% Taut Cable

Cable Size	1st Layer	2nd Layer	3rd Layer	4th Layer	5th Layer	6th Layer
5/8" (15.87 MM)	25 (7.62)	55 (16.76)	91 (27.74)	132 (40.23)	179 (54.56)	231 (70.41)

## TYPICAL MODEL CODE



# Tulsa Winch

P.O. Box 471617 Tulsa, Oklahoma 74147-1617  
(918) 663-5744, FAX: (918) 627-3221