


WW2000-3000-4000-5000 ../2D



Worm gear winch

Hand operated worm gear winch:

- robust and safe hoisting winch with two speeds
- suitable for two cables
- in compliance with EN13157, DIN 15020 and EX types ATEX 114 (94/9/EG)
- static safety factor 4
- square worm-wormwheel transmission and maintenance free bearings
- cable outlet upwards, downwards or at rear
- adjustable crank, with ergonomic grip
- easy to grease worm-wormwheel transmission
- load pressure brake with silent double ratchet system
- paint thickness is 60 - 80 Micron in 1 layer (in compliance with DIN/ISO 12944, C1M)
- as option:
 - zinc-plated finish (6 - 8 Micron)
 - ATEX certified  II 3 GD T4, suitable for zone 2 and 22
 - grooved drum
 - multi compartment cable drum
 - suitable for winch power tool AM5000

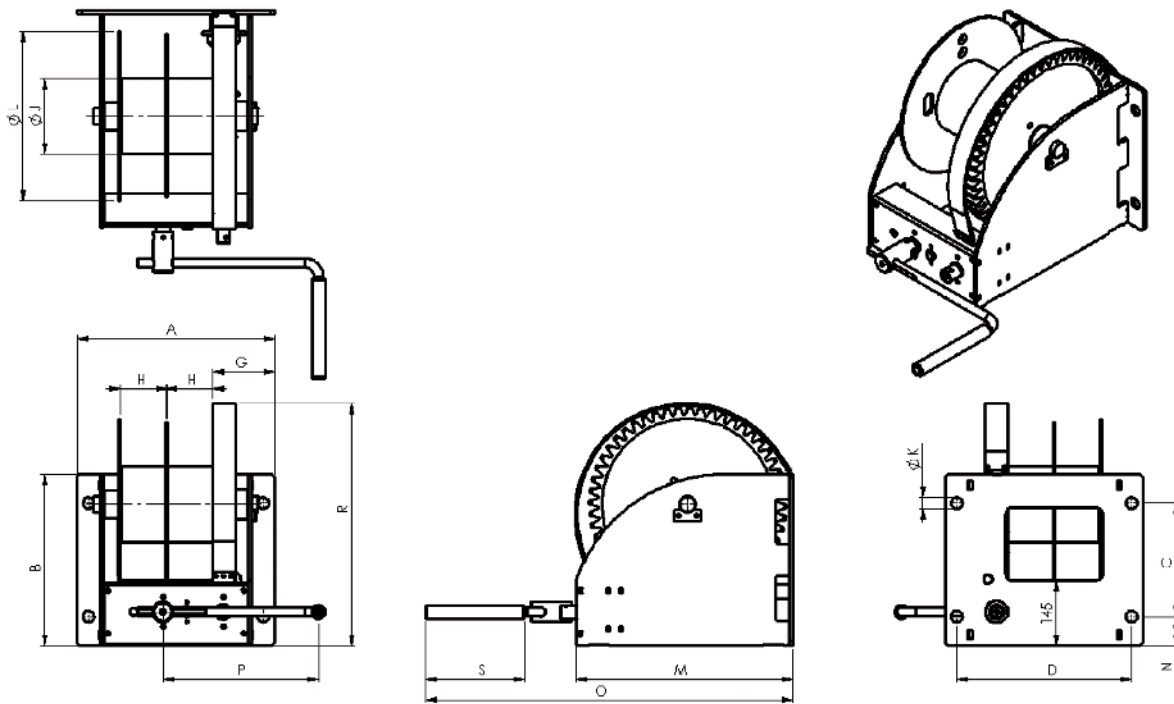


GEBUWIN
metal products



Industrieweg 6 7102 DZ Winterswijk The Netherlands
T +31 (0)543 532600 F +31 (0)543 532601
info@gebuwin.com www.gebuwin.com

Technical specifications WW2000-3000-4000-5000 ../2D



Type	Mounting	Material finish	Remarks
WW2000 GR / 2D	Wall, 4x M20 class 8.8	Painted finish	RAL 7035 (grey)
WW2000 EV / 2D	Wall, 4x M20 class 8.8	Zinc-plated finish	
WW3000 GR / 2D	Wall, 4x M20 class 8.8	Painted finish	RAL 7035 (grey)
WW3000 EV / 2D	Wall, 4x M20 class 8.8	Zinc-plated finish	
WW4000 GR / 2D	Wall, 4x M20 class 8.8	Painted finish	RAL 7035 (grey)
WW4000 EV / 2D	Wall, 4x M20 class 8.8	Zinc-plated finish	
WW5000 GR / 2D	Wall, 4x M20 class 8.8	Painted finish	RAL 7035 (grey)
WW5000 EV / 2D	Wall, 4x M20 class 8.8	Zinc-plated finish	

Dimensions (mm)	A	B	C	D	G	H	J	K	L	M	N	O	P	R	S
WW2000	410	310	196	360	137	86	133	25	312	372	57	705	380	434	220
WW3000	436	380	251	386	137	99	168	25	375	480	65	813	380	536	220
WW4000	436	380	251	386	137	99	168	25	375	480	65	813	380	535	220
WW5000	436	467	316	386	137	96	219	25	437	515	75	847	380	618	220

Technical specifications	WW2000	WW3000	WW4000	WW5000
Capacity:				
1 st cable layer	2 x 1000 kg	2 x 1500 kg	2 x 2000 kg	2 x 2500 kg
Last cable layer	2 x 519 kg	2 x 833 kg	2 x 1141 kg	2 x 1638 kg
Crankforce 1 st cable layer	24 (11) daN	31 (14) daN	30 (13) daN	73 (14) daN
Hoisting length by one rotation of crank , 1 st layer	12 (5) mm	11 (5) mm	11 (2) mm	13 (3) mm
Max. cable storage per compartment	68 m	66 m	53 m	35 m
Diameter cable (EN 12384-4)	8 mm	10 mm	11 mm	14 mm
Min. breaking force of cable	34 kN	51 kN	63 kN	102 kN
Own weight	62 kg	80 kg	82 kg	119 kg